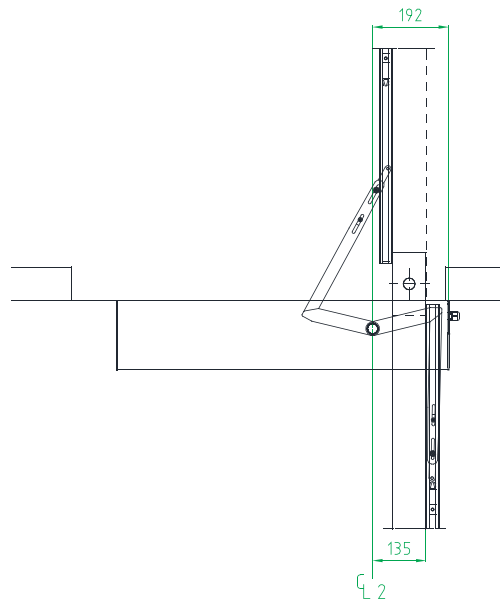
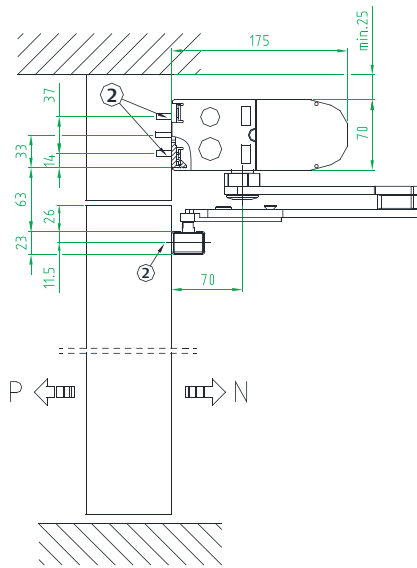


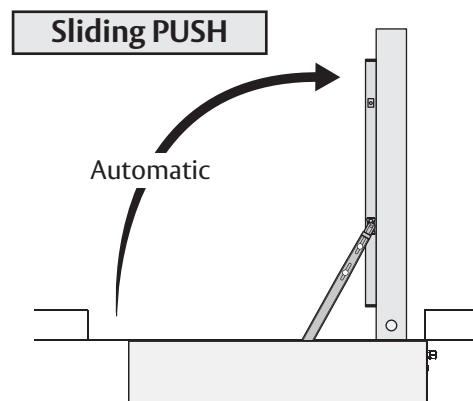
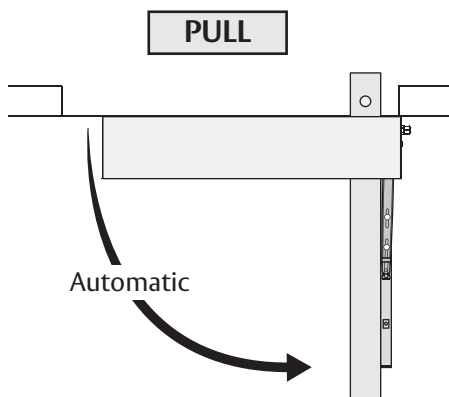
# 1 Installation



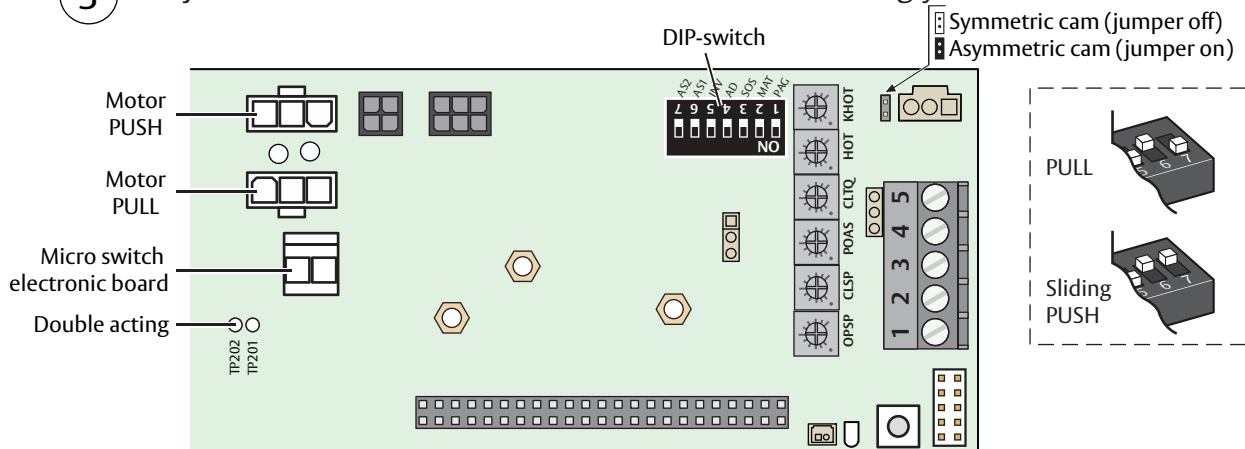
Important note! A torque wrench ranging between 14-50 Nm is essential when installing this operator.



# 2 Identify the automatic opening, sliding PUSH or PULL. Opposite direction will be the manual break-away.



# 3 Adjust DIP-switches and select motor contact accordingly



© All rights in and to this material are the sole property of Entrematic Group AB. Copying, scanning, alterations or modifications are expressly forbidden without the prior written consent of Entrematic Group AB. Rights reserved for changes without prior notice.

Quick Start  
Ditec DAB805DA



1020527

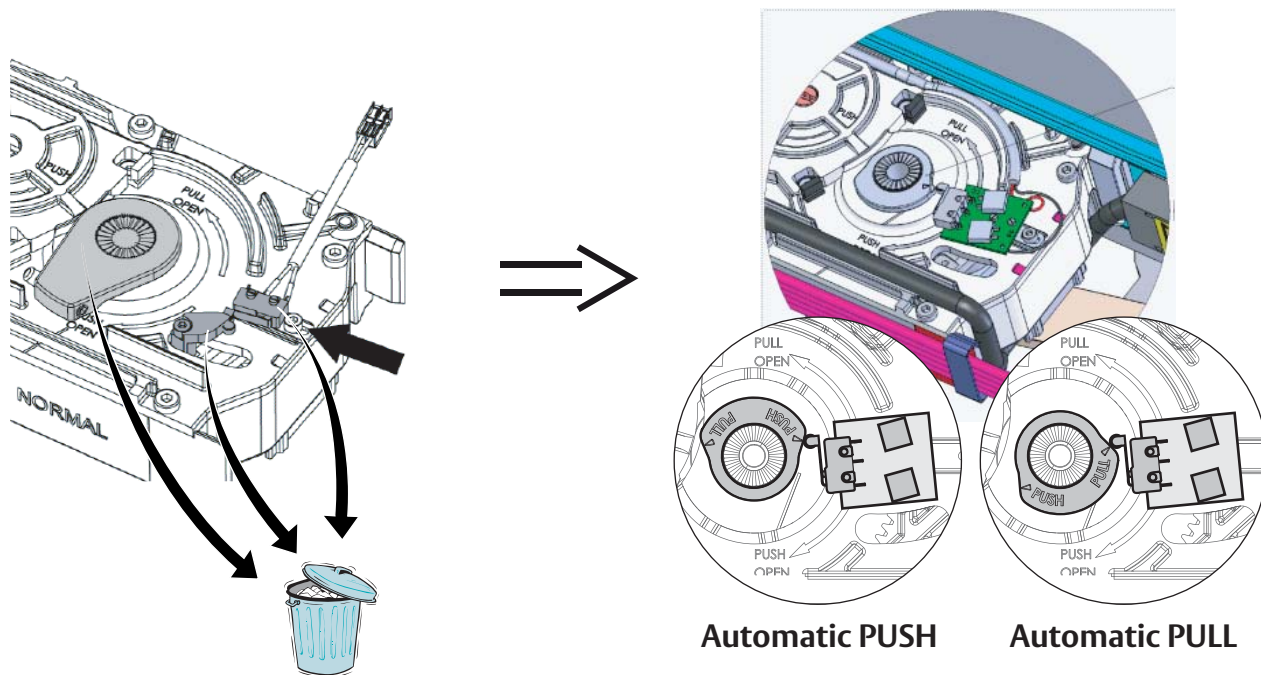
**Ditec**

1.0

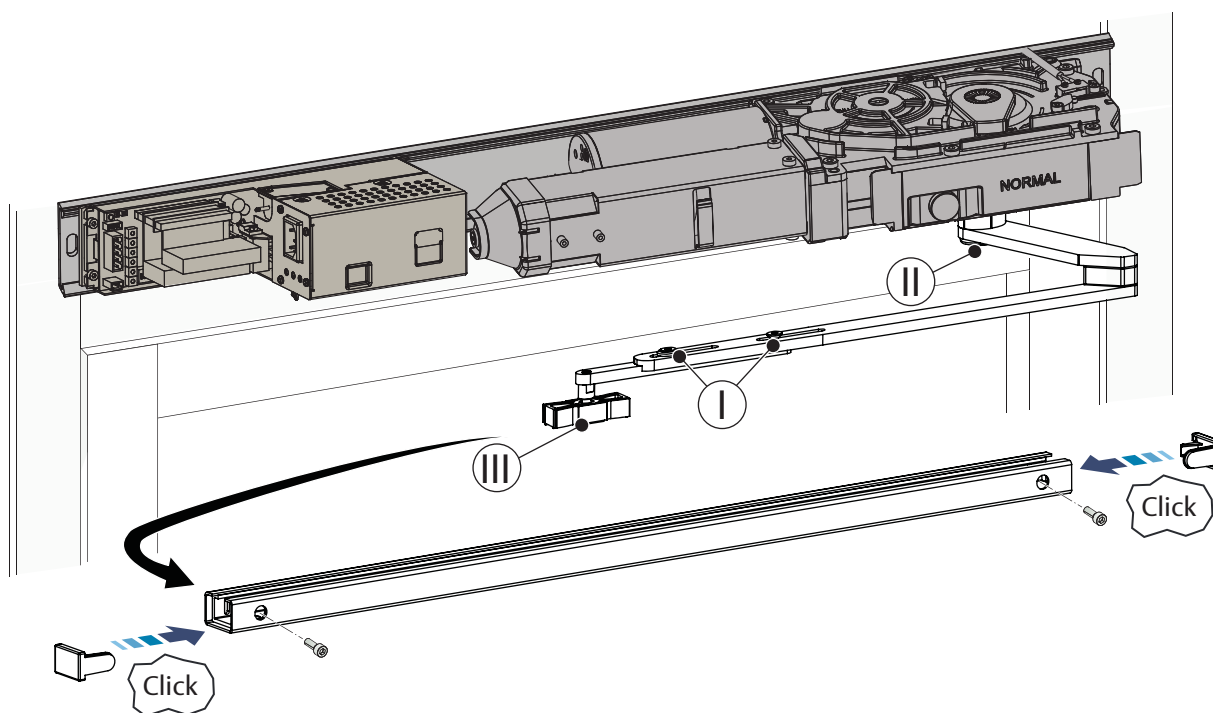
1020495-DIen



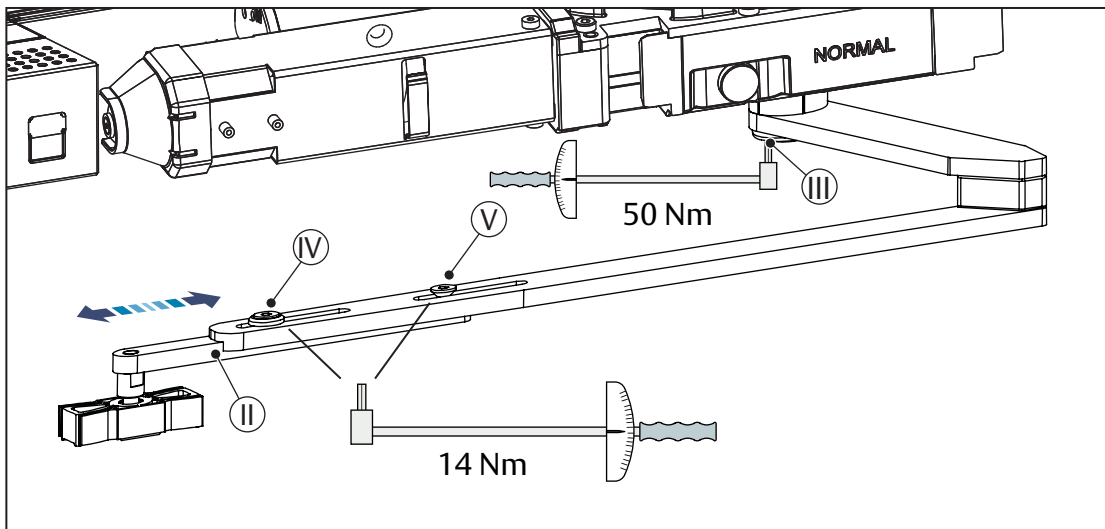
- 4 Remove the stop arm, micro switch including cable and micro switch lever. Replace by plastic cam and micro switch with electronic board. See below.



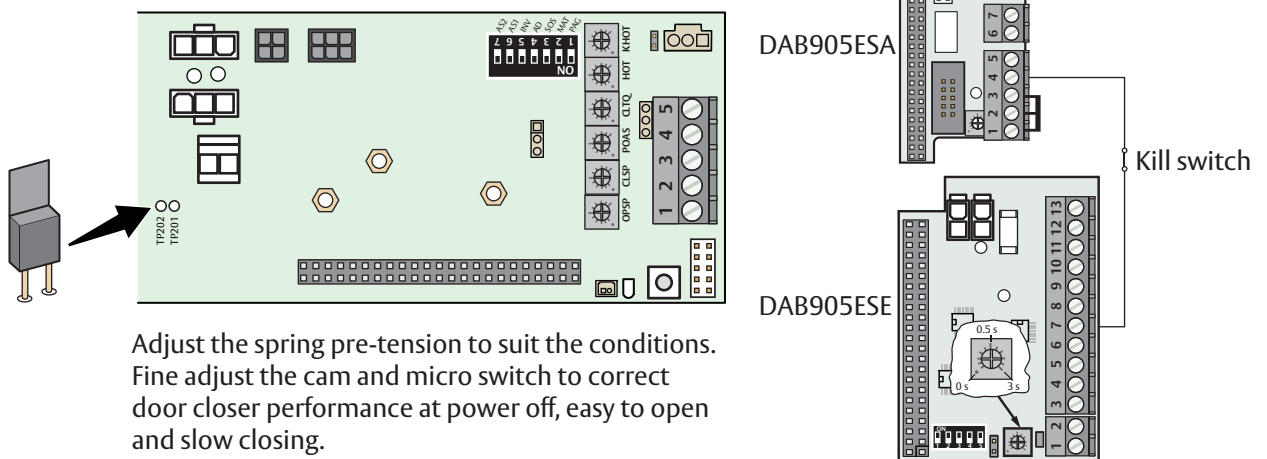
- 5 I. Loosen the fixing screws for the telescopic part.  
II. Mount the arm loose into the operator shaft.  
III. Insert the sliding block into the track and fix it to the door leaf.



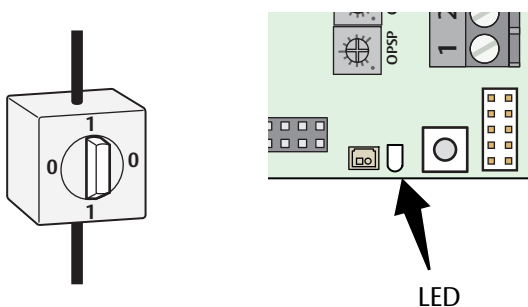
- 6
- I. Keep the door in its zero position when tightening the fixing screw. Check, by moving the arm  $\pm 20^\circ$ , that the operator has its zero position = Cam roller in the cam valley.
  - II. Make sure that the telescopic part is possible to adjust to find the zero position. If not possible, loosen the arm fixing screw and move the adaptor one marking either direction which gives an adjustment of  $3^\circ$ .
  - III. Tighten the arm fixing screw with 50 Nm.
  - IV. Fine adjust the door to its zero position and tighten first the screw with the washer.
  - V. Wait to fix the screw without washer, which is to secure correct position, until the end of the installation.



- 7
- Short circuit the tag strip, located close to the motor connector, TP201 and TP202 with a jumper



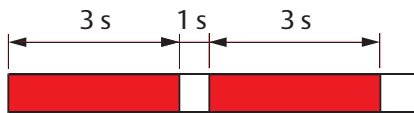
- 8
- Connect mains  
- Switch on the electrical power LED is on



## 9 Select parameter group according to double acting

### Changing group of parameters (Level 2)

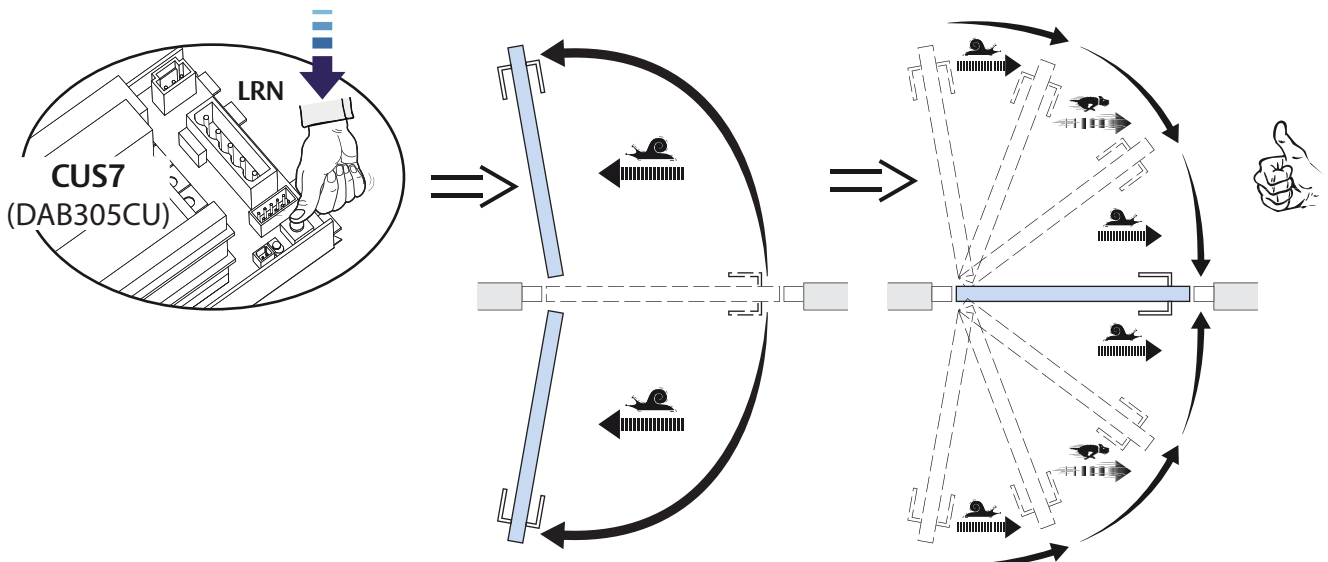
- Disconnect batteries if any.
- Disconnect the mains.
- Press the LEARN BUTTON (LRN) and keep it depressed.
- Connect the mains.
- Watch the ERROR LED.



- Release the LEARN BUTTON after 2 flashes (LED is out).  
The ERROR LED flashes a number of short flashes that corresponds to the parameter group number (see table). After a short pause the LED will repeat the group number, and so on.
- Pushing the LEARN BUTTON once, increases the parameter group number. When the highest parameter group number is reached it will start with number 1 (default) again.
- Push the button until you get the requested parameter group. Ensure that the requested group of parameters has been selected by counting the number of flashes.
- Disconnect the mains.
- Next time the mains is connected, the operator will use the new group of parameters.

Parameter/ Group	19	20	21
OPEN/CLOSE HOLD OPEN TIME	15 minutes	15 minutes	15 minutes
Battery mode	Power save	Power save	Convenience
KILL mode	Unlocked during KILL	Unlocked during KILL	Unlocked during KILL
OBSTRUCTION mode <sup>1)</sup>	Door closer	Reverses when obstructed	Door closer
DOUBLE EGRESS mode	Separate presence detection	Separate presence detection	Separate presence detection
LOCK RETRY <sup>2)</sup>	On	On	On
OPEN/CLOSE impulse	In AUTO mode	In AUTO mode	In AUTO mode
KILL Impulse Configuration <sup>2)</sup>	Normally Closed Monitored	Normally Closed Monitored	Normally Closed Monitored
Relay <sup>2)</sup>	Error indication	Error indication	Error indication
Double acting	Yes	Yes	Yes

## 10 Carry out a learn



The door will learn in both directions, it will prioritize depending on chosen automatic direction.

When commissioning, it is advisable to manually hold open the slave door.

When you are satisfied with the performance, tighten the screw (without washer) in the telescopic part to secure the zero position.